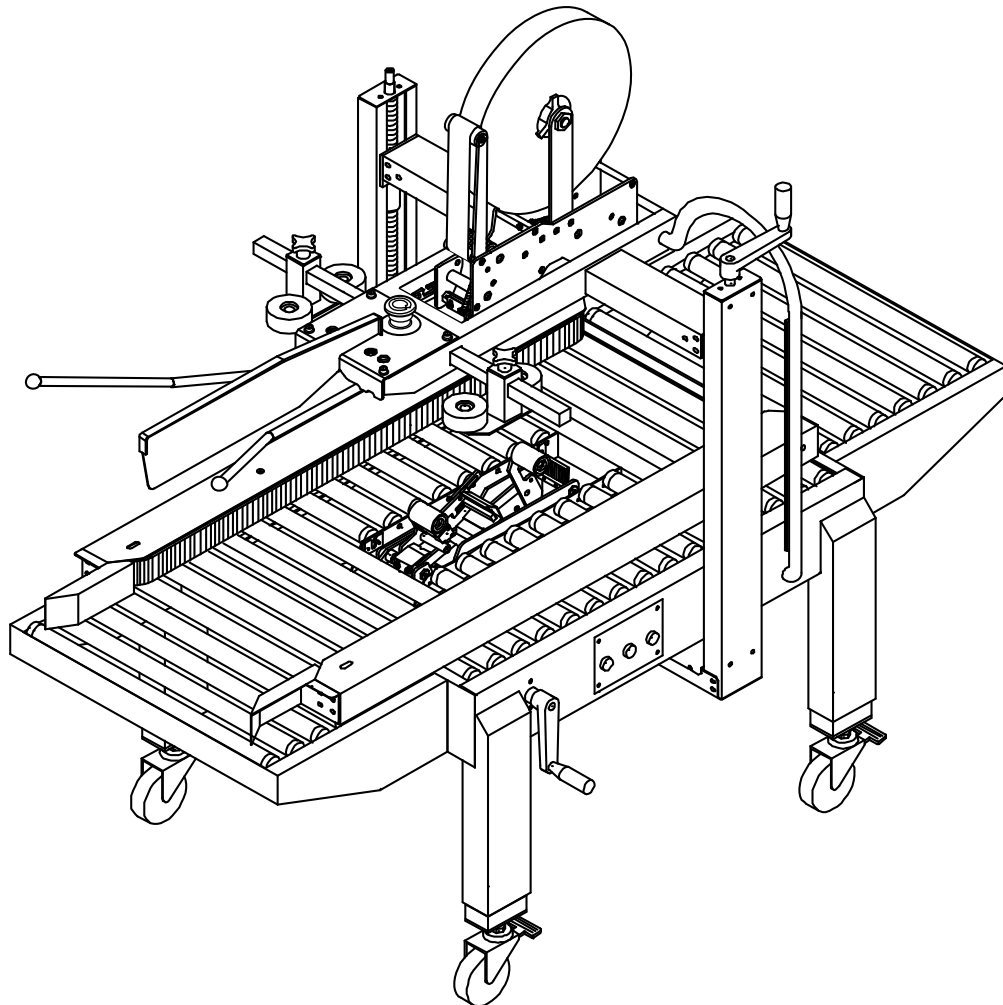


# SB-2/3EXN

---

## Industrial Case Taping System

## User Guide



---

**EASTEY**<sup>®</sup>



# **SB-2/3EXN**

## **Industrial Case Taping System**

### **User Guide**

Revised 11/17/2020

P/N 5001683 Rev D

#### **Copyright and Trademarks**

Copyright ©2012-2020 Engage Technologies Corporation  
All rights reserved. All trademarks and registered names  
are the property of their respective owners.

Eastey  
7041 Boone Ave. N.  
Brooklyn Park, MN 55428

Phone: (763) 428-4846; Fax (763) 795-8867; 1-800-835-9344  
**[www.eastey.com](http://www.eastey.com)**



# Contents

- Safety ..... 7**
  - Safety Precautions ..... 7
  - Explanation of Symbols ..... 8
  
- Introduction ..... 9**
  - SB-2/3EXN Industrial Case Taper Overview ..... 9
  - Specifications ..... 10
  - Options ..... 10
  
- Installation ..... 11**
  - Install Locking Casters and Adjust Height ..... 11
  - Location Requirements ..... 12
  - Install Entrance and Exit Roller Tables ..... 13
  - Next Steps ..... 13
  
- Operation ..... 14**
  - Loading the Tape Cartridges ..... 14
  - Check Tension ..... 15
  - Thread Tape ..... 15
  - Main Spring ..... 17
  - Power ..... 18
  - Control Panel ..... 18
  - Emergency Stop ..... 19
  
- Adjustments ..... 20**
  - Height and Width Adjustments ..... 20
  
- Maintenance ..... 27**
  - Rollers ..... 27
  - Cutting Knives ..... 27
  
- Troubleshooting ..... 28**
  
- Parts List ..... 30**
  - Electrical ..... 30
  - Side Belt Assembly ..... 34
  - Vertical Column ..... 37
  - Machine Body ..... 40
  
- Warranty Statement ..... 42**
  
- Customer Support ..... 44**



# Safety

## Safety Precautions

Before installing, operating or servicing this equipment, please read the following precautions carefully:

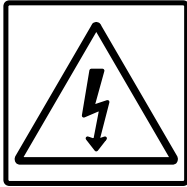
- This machine is equipped with moving belts. Do not place hands near the belts when they are moving as fingers may be pinched where belts enter the frame. We suggest the use of a roller-type exit conveyor or pack table for your cases. Always remove boxes after they clear the exit end of the machine.
- Observe caution when near the tape heads or when threading tape. The tape cutting knives are very sharp, automatically operated, and linked to tape wipe down rollers.
- Always disconnect electrical power before attempting maintenance for any electrical or moving parts. Do not attempt to open or work on the electrical box, junction boxes, or other electrical components of the unit without first disconnecting power to the machine. Electrical shock hazard exists if power is not disconnected.
- Use only the specified power-supply cable. Do not use the power cable to pull or position the machine, as this will damage or break the cable.
- Do not by-pass any factory-designed safety features such as guards, interlocks, switches, etc. Do not operate the machine if such modifications have been made.
- Do not attempt to operate the machine with loads that exceed the limits of use and operation in regards to weight and sizes, or with unstable loads that present a hazard of tipping or falling.
- This equipment is designed for indoor operation in a typical clean, dry factory environment. Do not operate the machine in any extremely wet or oily environment that may exceed operating specifications.
- Do not place hands, head, or any part of the body inside the confines of the machine unless the tape head mechanisms are securely fastened, and the electrical supply is shut off.
- To minimize the potential for personal injury, always be sure that the machine operators and others working on the machinery are properly trained in the correct usage of the equipment and properly instructed regarding safe operation.
- Never provide service or clear a box jam when machine is running. Always stop the machine and shut off power before servicing.
- When feeding a box into the unit, always hold down the box top and present the box to unit. Release hands as soon as the belts begin to take the box.
- Do not wear loose clothing such as ties, scarves, jewelry etc. Long hair should be pulled back and/or covered while operating this machine.

## Explanation of Symbols



**Caution** sign or Safety Alert symbol. Indicates caution, be alert, Your safety is involved. Knowledge of safe operation is required.

Caution indicates a hazardous situation which, if not avoided, could result in minor or moderate injury or damage to equipment or surroundings.

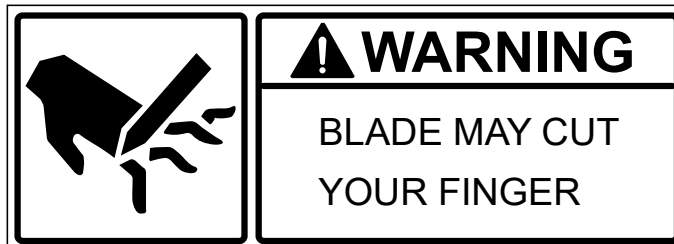


**Electrical hazard.** Indicates electrical danger. Only a trained electrician can uncover the electrical panel or box.



**Warning** symbol. Indicates a hazardous situation which, if not avoided could result in death or serious injury.

A warning indicates a situation or condition potentially more severe than indicated by a caution message but not imminent as a danger message. This symbol is associated with warnings for conditions as shown below.

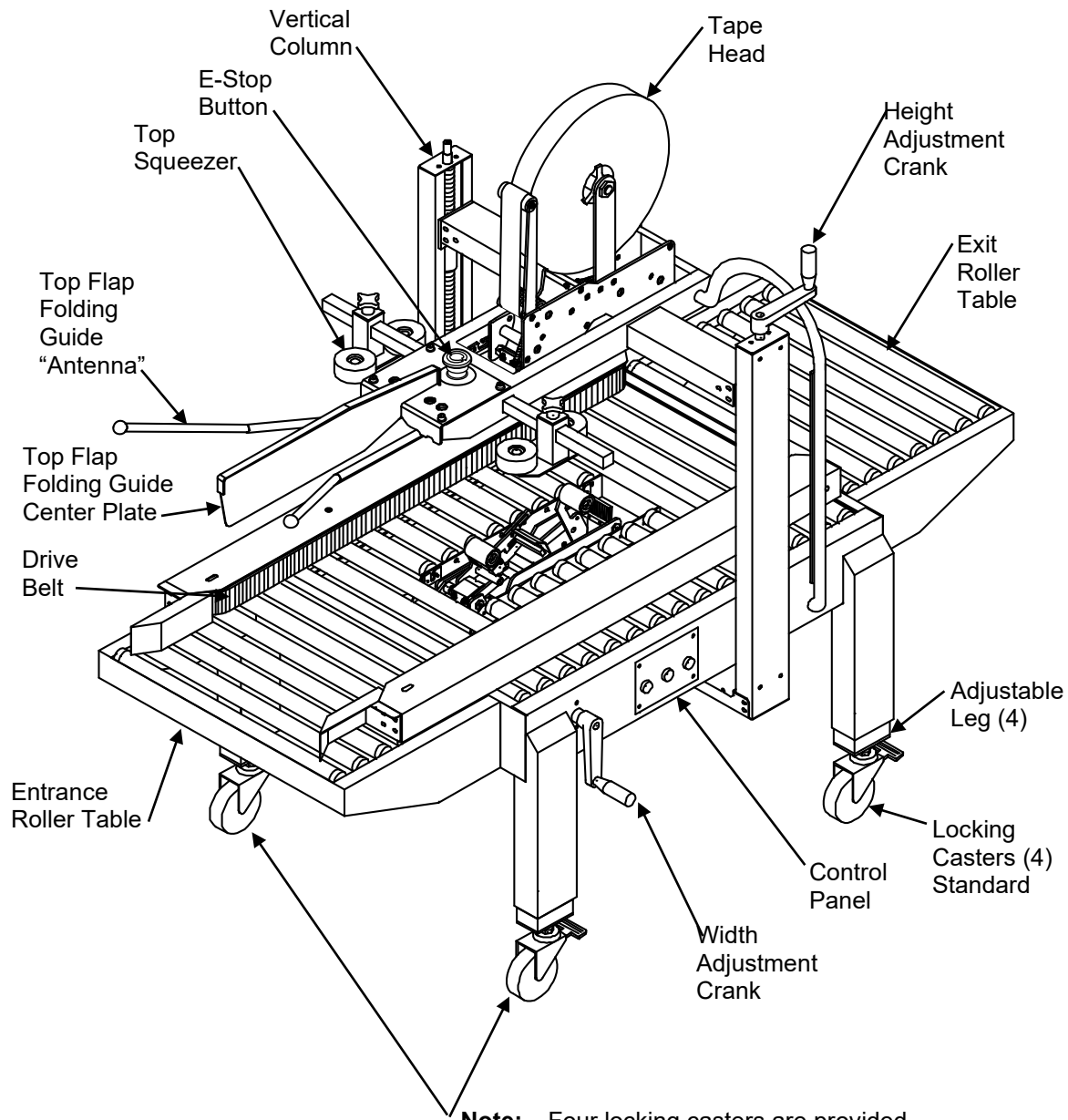




# Introduction

The SB-2/3EXN Industrial Case Taper features top flap folding plate and guide rods to guide carton top flaps closed before tape sealing. Roller pack tables are attached to the machine body at entrance and exit ends of the taper.

## SB-2/3EXN Industrial Case Taper Overview



## Specifications

Model	<b>SB-2/3EXN</b>
Tape Width	1.5 inches (36 mm) or 2 inches (50 mm)
Belt speed	80 feet/min. (24 m/min.)
Capacity	(L) 5.0 inches (12 cm) minimum (W) 4.0 to 19.5 inches (10 to 50 cm) (H) 5.0 to 19.5 inches (12 to 50 cm)
Power consumption	450 W
Machine size	(L) 76.4 inches (171.3 cm) (W) 33.6 inches (85.4 cm) (H) 53.1 inches (135 cm)
Machine net weight	375 lbs. (160 kg)
Sound level	60 db

## Options

- 3" Tape Head

# Installation

Carefully unpack the case taper from the shipping carton.

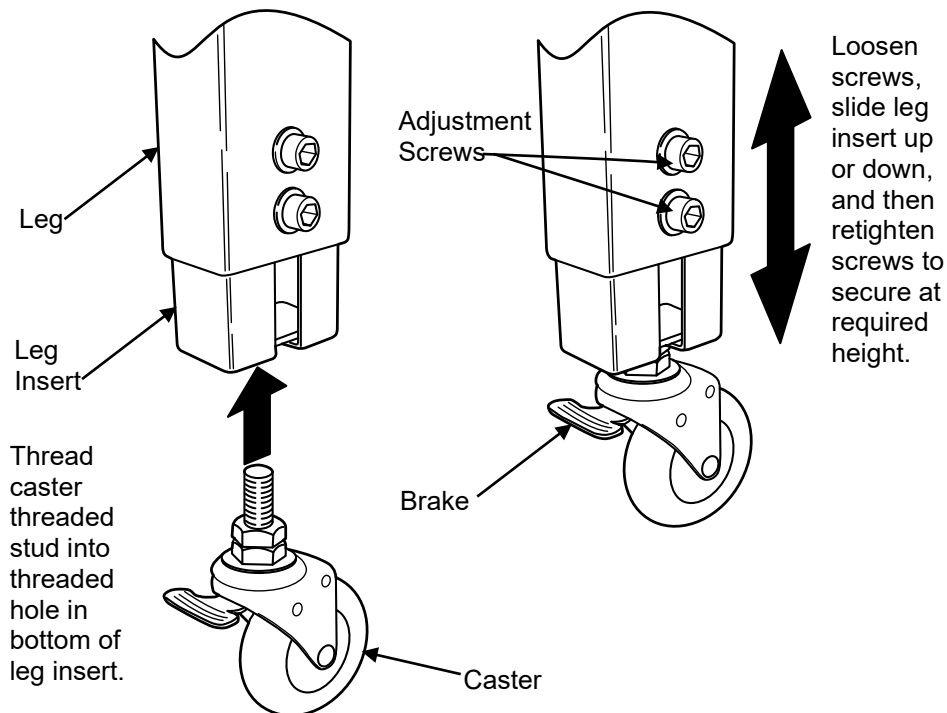
Remove the banding straps that secure the case taper to the shipping pallet. Lift the case taper off the pallet.

**CAUTION!** The case taper is a very heavy piece of equipment and will require a forklift, floor crane, or several people to move safely off the shipping pallet. Use proper equipment when lifting the case taper and ensure the case taper is secure and will not shift while removing shipping materials.

## Install Locking Casters and Adjust Height

Four locking casters are provided and optionally may be installed onto the four adjustable support legs. If casters are to be installed, thread each caster into the threaded hole in the bottom of each leg while supporting the case taper.

**CAUTION!** Raise the case taper off the floor to install the casters. Use proper equipment when lifting the case taper. Ensure the case taper is secure and will not shift while the casters are being installed.



To adjust the leg height, loosen the adjustment screws on each leg and slide the insert up or down as required and then retighten the screws at the required height.

## Location Requirements

Move the case taper to the desired location. To lift or move the case taper without casters installed, you will need to use a pallet jack or forklift to lift and move it. If you have installed the casters, release the brake lever on each of the locking casters to move the taper easily over a smooth flat surface. Re-engage caster brake levers when the case taper has been moved to its location.

When installing the case taper please be aware of the following considerations:

1. The mounting surface is flat and level.
2. Conveyor or packing table height.
3. Alignment with packaging line.

When the case taper is positioned in the operating location you will need access to:

1. The control panel, with Start/Run and Stop switches, and E-Stop.
2. Height and width adjustments.
3. Both upper and lower tape cartridges for tape loading.

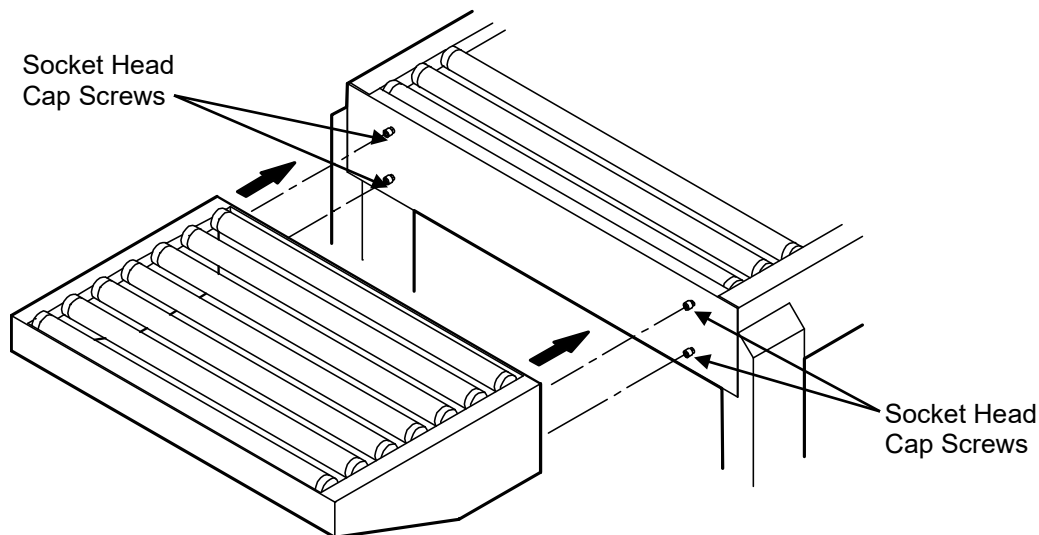
A packing table may be provided at the infeed end where the packer can fill boxes and position the flaps while feeding the boxes into the machine for closing and sealing. It is also convenient to have a pack table at the exit end of the taper.

It is essential that the table and conveyor be at the machine bed height.

The machine should be placed on a flat, level floor so that it does not rock or move. We recommend that the machine be securely locked in place when used.

## Install Entrance and Exit Roller Tables

Entrance and exit roller tables are identical and therefore interchangeable. Temporarily loosen socket head cap screws at the locations shown in the following illustration. Align the keyhole slots in the table flanges with the loosened cap screw heads and position the end table so rollers are level with the case taper rollers, then re-tighten cap screws to secure table.



## Next Steps

Follow instructions in the Operation section for instructions to load the tape cartridges in the upper and lower tape heads.

If tape heads have not been loaded with tape, load the upper and lower tape heads with tape. (One roll each; follow instructions provided in the Tape Cartridge User Guide.)

Refer to the Adjustments section for instructions to make necessary height and width adjustments that must be made for operation of the box taper.

Refer to the Operation section for instructions to power up, operate, and shut down the machine.

# Operation

## Loading the Tape Cartridges

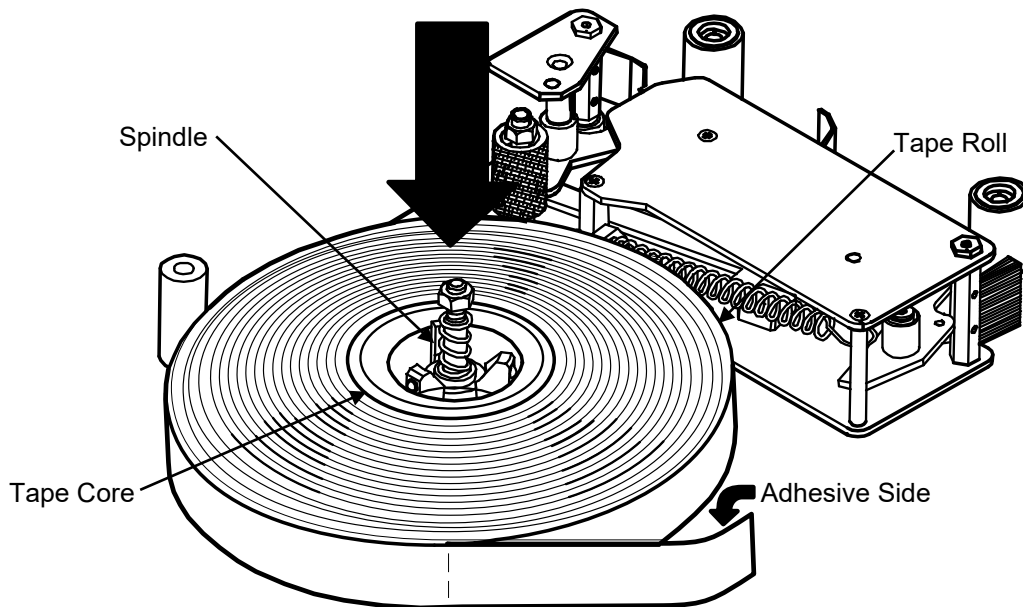
Turn the main power switch to “Off” and disconnect the power.

**CAUTION!** To avoid personal injury, remove the tape cartridge before loading tape.

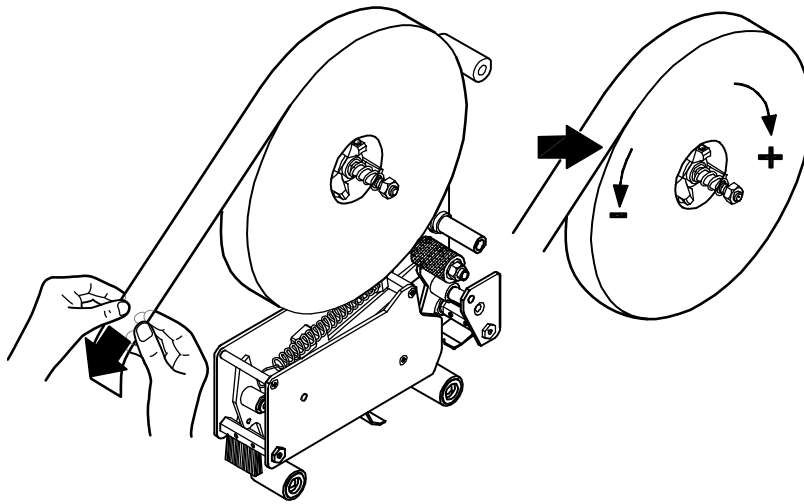
**When handling the tape cartridge be careful to avoid contact with the tape cutting blade.**

After the taping cartridge has been removed push the tape roll onto the tape core assembly.

**NOTE:** Make sure the tape roll is pushed all the way on the spindle assembly.



## Check Tension



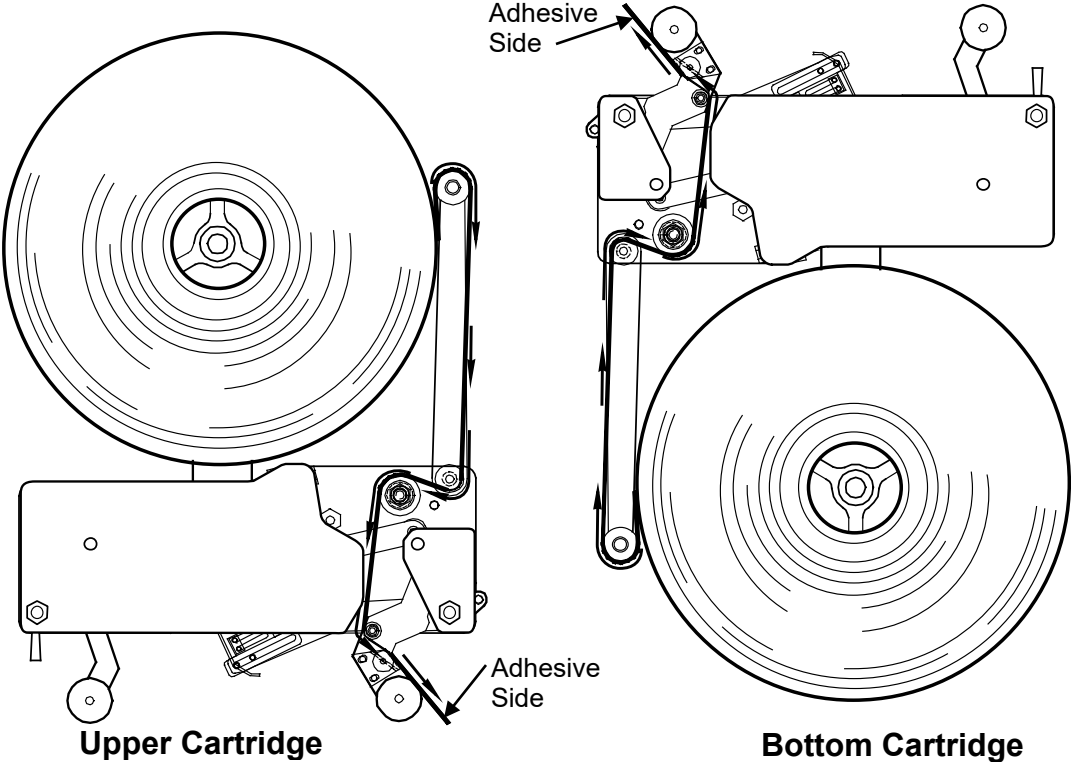
Check the tape for correct tension. Tighten or loosen the tape core holder to adjust tension.

## Thread Tape

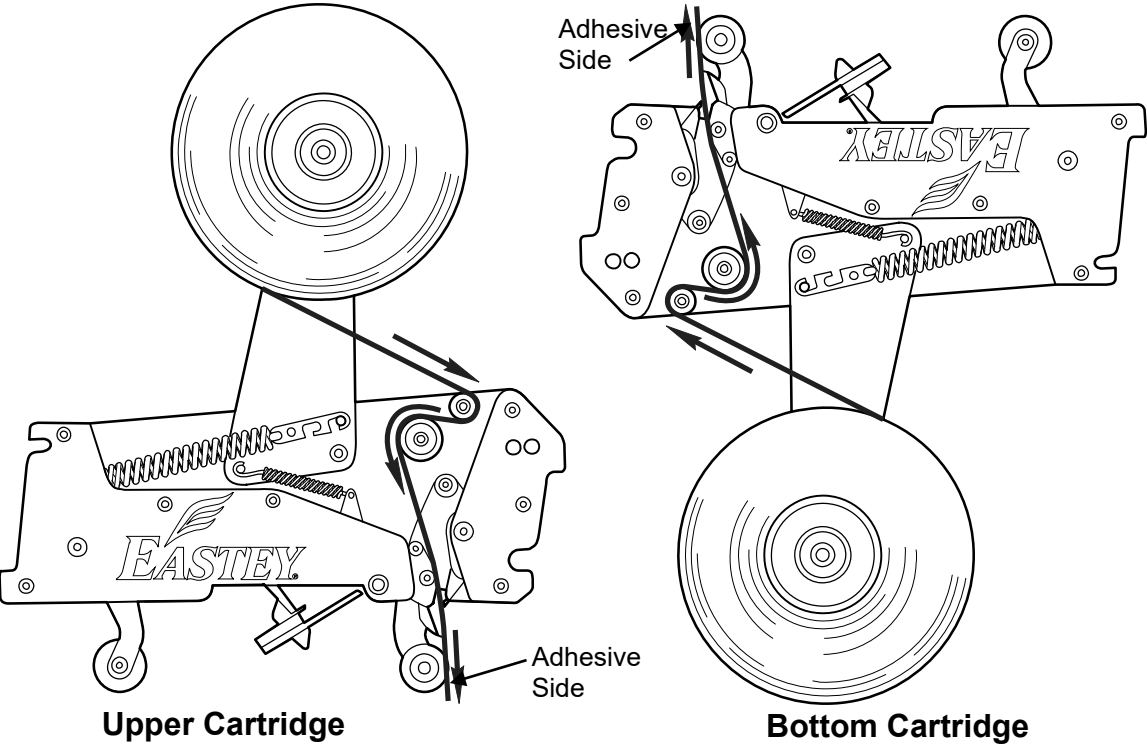
Carefully thread the new tape through the rollers in the tape head as shown in the applicable diagram in the Tape Head User Guide provided with the tape head.

For convenience, diagrams for threading tape in the Eastey-EX Tape Head and EZ-EX Tape Head are provided on the following page. Follow the diagram that applies for your tape head, depending on the tape head model and position on the taper.

### Easteys-EX Tape Head

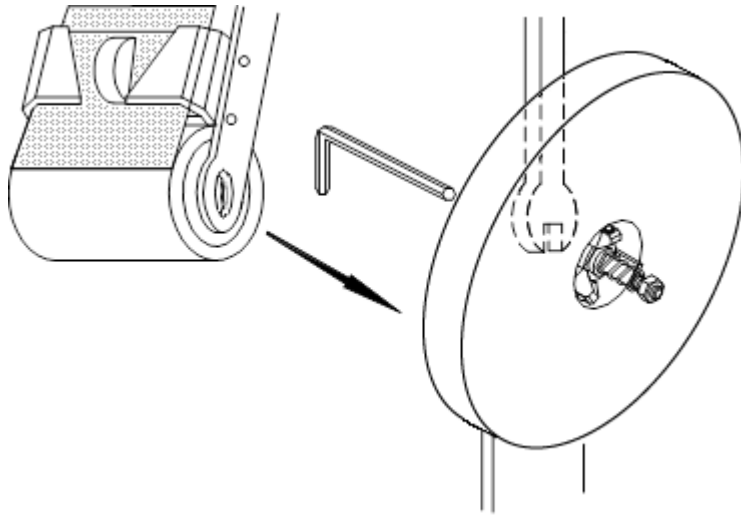


### EZ-EX Tape Head





## Center Tape — Eastey-EX Tape Head only

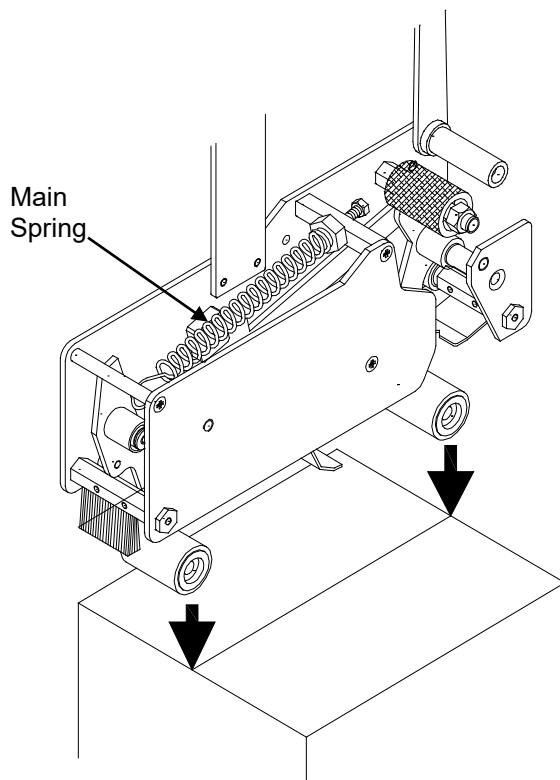


Make sure the tape is centered on all the rollers.

There are several rollers in the tape cartridge where the tape alignment should be checked to verify the tape stays on center as it is being dispensed.

Return the tape cartridge to the operation position.

## Main Spring



For sealing light-weight boxes, decrease the main spring tension. For heavier boxes, increase the main spring tension.

When setting tension for the rollers, consider the amount of pressure on the box flaps required to make the seal. Cartons completely filled to the top with product may require more pressure on top and bottom seams when applying tape than partially-filled cartons, where excessive pressure could possibly crush the carton.

## Power

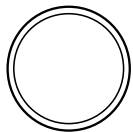
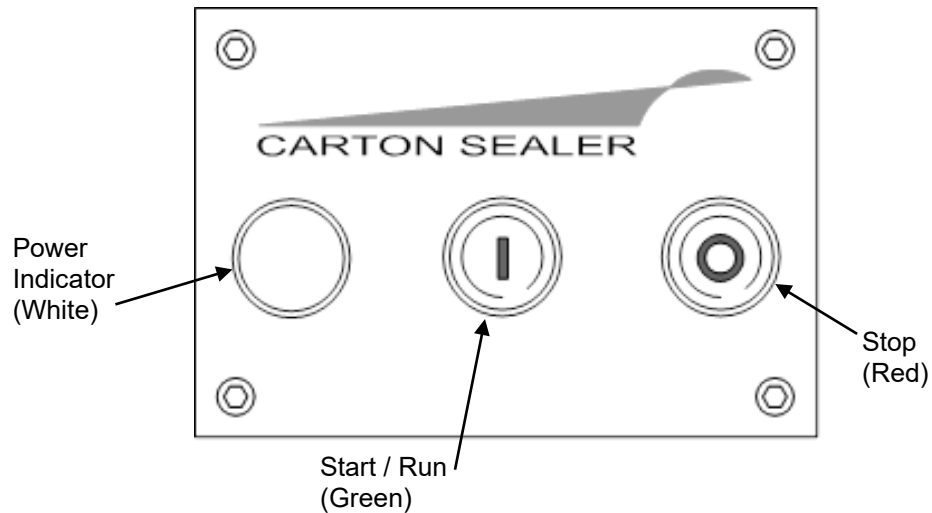
Plug the power supply cord into a properly wired and grounded outlet.

Press start button.

**CAUTION!** When the power is turned on be aware of moving parts and belts

## Control Panel

When the main power switch is in the "ON" position the power lamp should be illuminated.



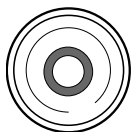
### **Power Indicator** Lamp (White)

- On when carton sealer is in operation.
- Off when carton sealer is not in operation.



### **Start / Run Button** (Green)

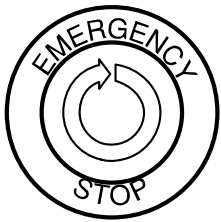
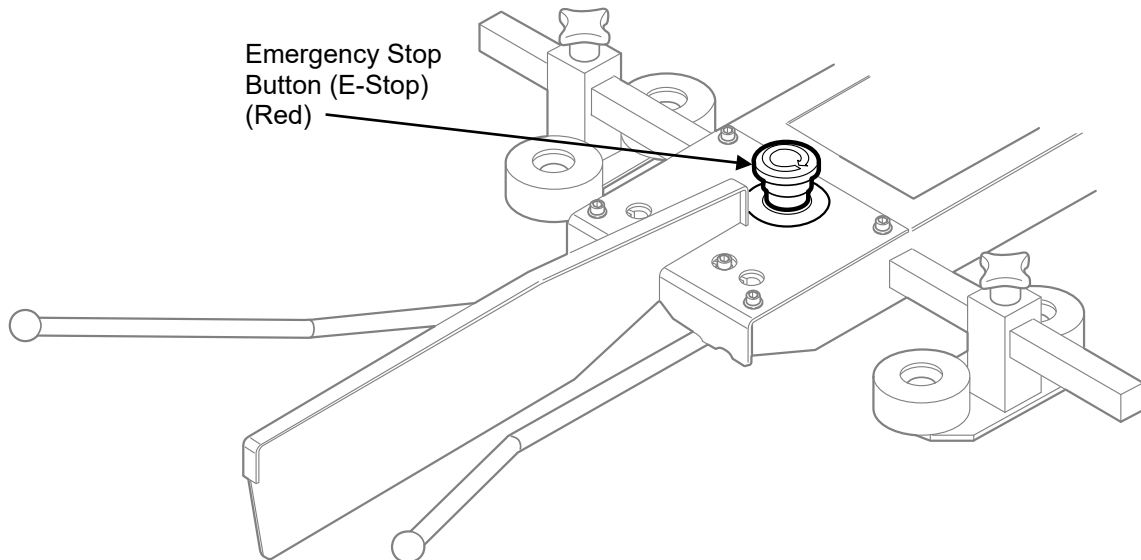
Press the Start button to start motors and belts.



### **Stop Button** (Red)

Press the Stop button to stop motors and belts.

## Emergency Stop



### Emergency Stop Button (Red with Yellow label)

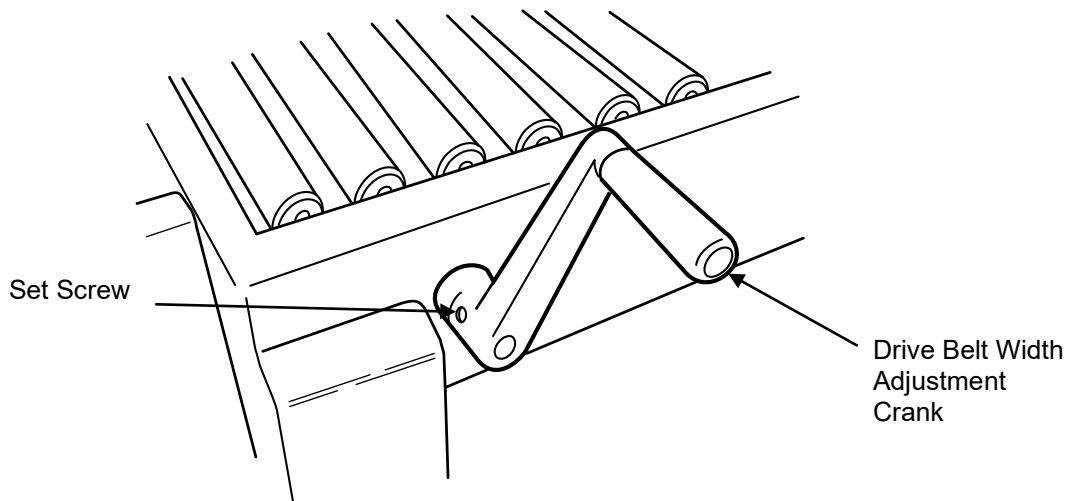
- Press the red Emergency Stop button for emergency stop.
- To reset the Emergency Stop button once the emergency condition has been cleared and it is safe to operate the machine again, press the Emergency Stop button in while turning it approximately a quarter-turn in the direction of the arrow.

# Adjustments

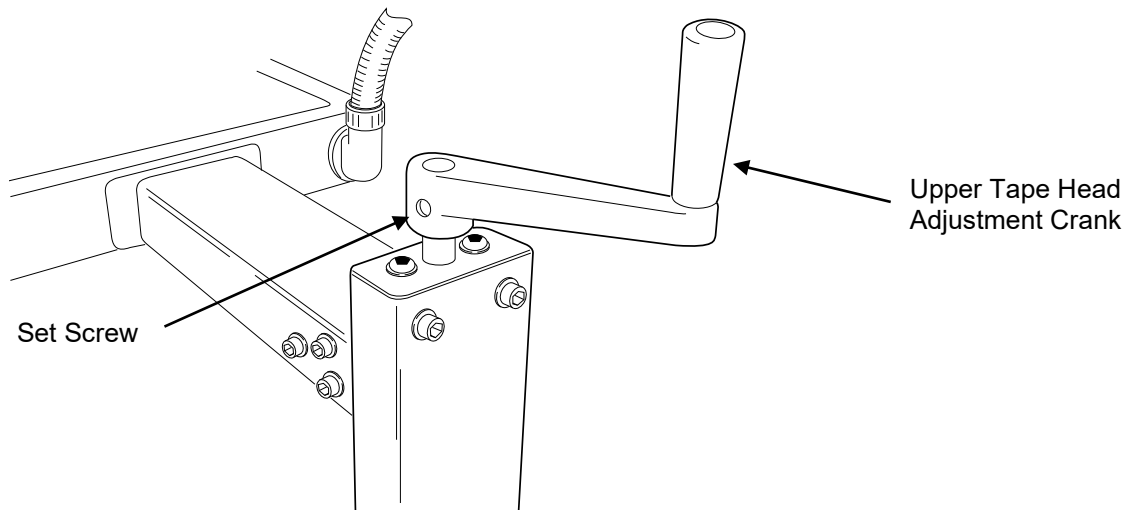
## Height and Width Adjustments

With the power off, place an appropriate size carton in the Case Sealer.

Use the drive belt width adjustment crank to set the drive belt width to the correct box width.



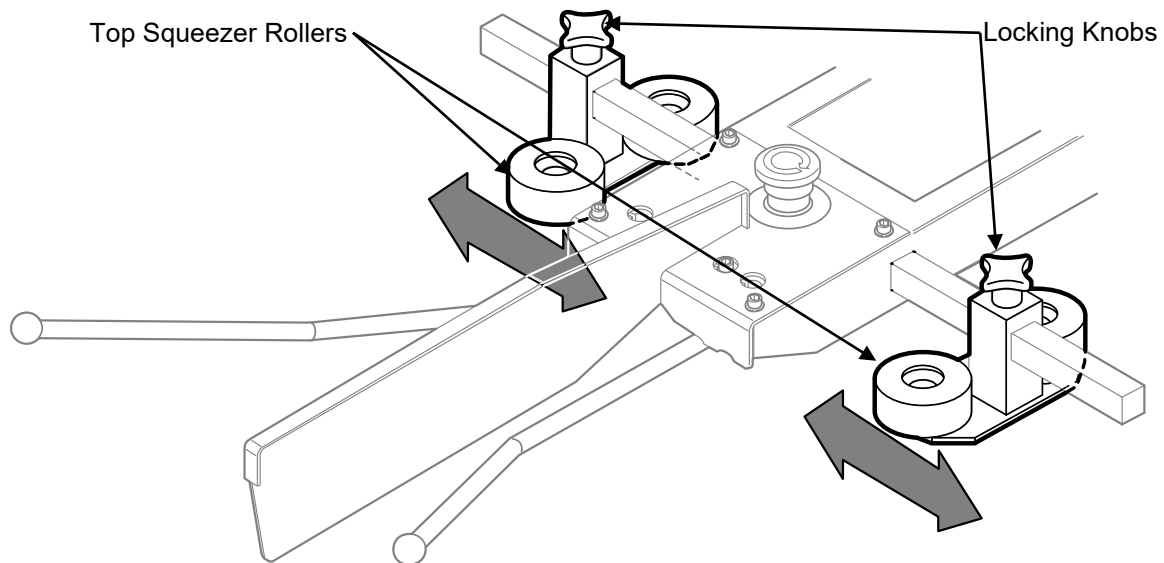
Use the height adjustment crank to set the upper tape head to the correct box height.



The height and width cranks can be mounted on either side of the machine by loosening the set screw and removing the crank. Mount the crank on the opposite side and re-tighten the set screw.

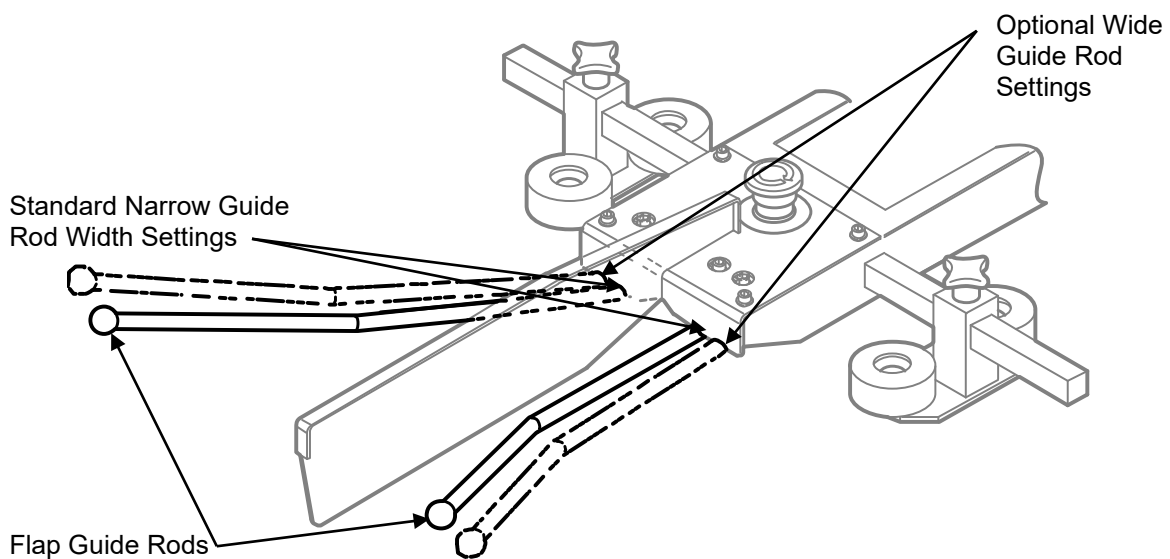
## Top Squeezer Roller Width Adjustment

Loosen the locking knobs on the top squeezer alignment rollers to set the top width to the correct box width and re-tighten the locking knobs. This will ensure the box stays centered.



## Upper Flap Guide Rod Position or Width Adjustment

In normal operation the upper flap guide rods must be fastened rigidly in place for proper operation. The guide rods can be repositioned and then re-secured, however, to provide better positioning if required for carton-sealing applications, depending on the carton size and closing flap configuration.

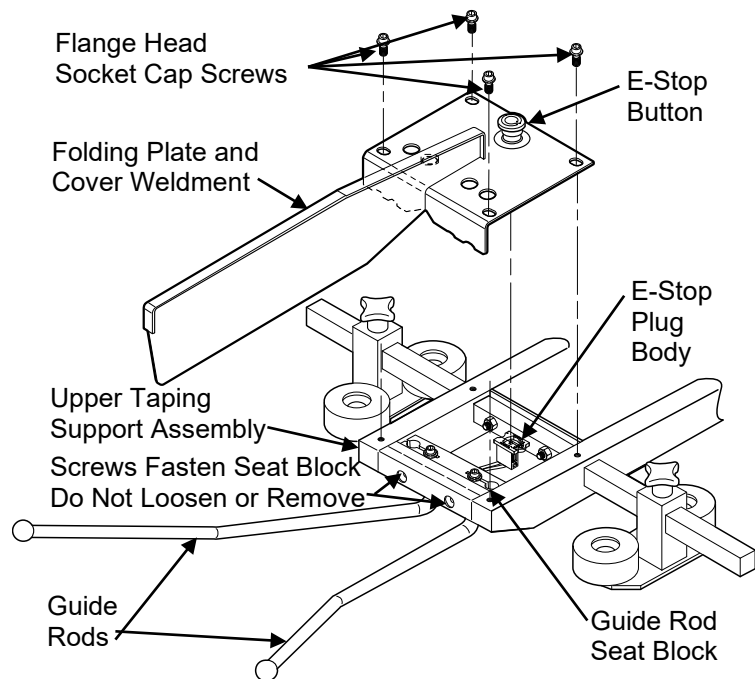


Instructions for repositioning the flap guide rods begin on the following page.

## To Adjust Position of Flap Guide Rods Or Change Width Setting

**NOTE:** For ease of disassembly remove the upper tape head temporarily so the folding plate and cover weldment can be placed in the tape head area. This way it will not be necessary to disconnect the electrical connections for the E-Stop or button from the body plug while adjusting or moving the guide rods. When removing cover or guide rods, retain all parts and hardware for reassembly.

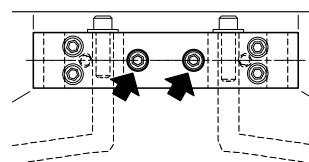
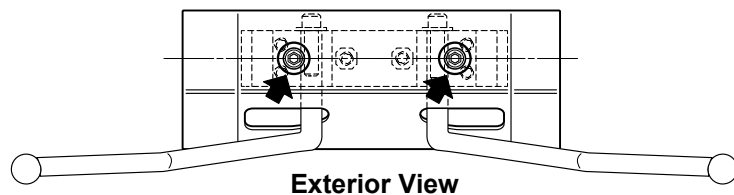
1. Support the center flap folding plate and remove the four flange-head socket cap screws that secure the folding plate and cover weldment to the upper taping support assembly.
2. Temporarily place the folding plate and cover weldment out of the way in the space where the upper tape head normally sits. This way it is not necessary to disconnect the E-Stop.



Guide rods are secured to the Seat Block, which is fastened to the upper taping support assembly.

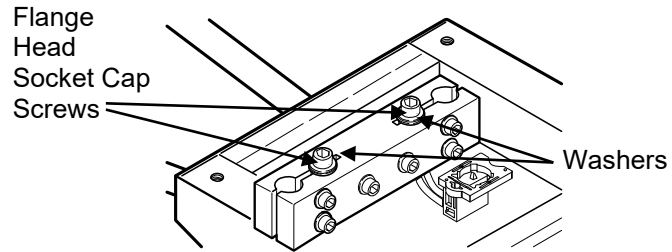
**NOTE:** The seat block is fastened to the upper taping support assembly by four flange-head socket cap screws:

- Two cap screws that are visible through access holes in the front of the taping support assembly.
- Two cap screws that are aligned horizontally at the back of the block (closest to the center of the block) pass through the block, fastening it to the taping support assembly.

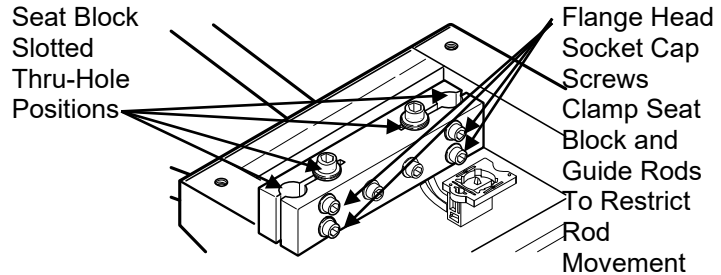


**It is not necessary to loosen or remove the cap screws in these locations to move or reposition the guide rods.**

Each guide rod enters the bottom of the seat block and passes up through it vertically (through either of a pair of thru-hole positions) and is fastened at the top of the seat block with a flange-head socket cap screw and washer.

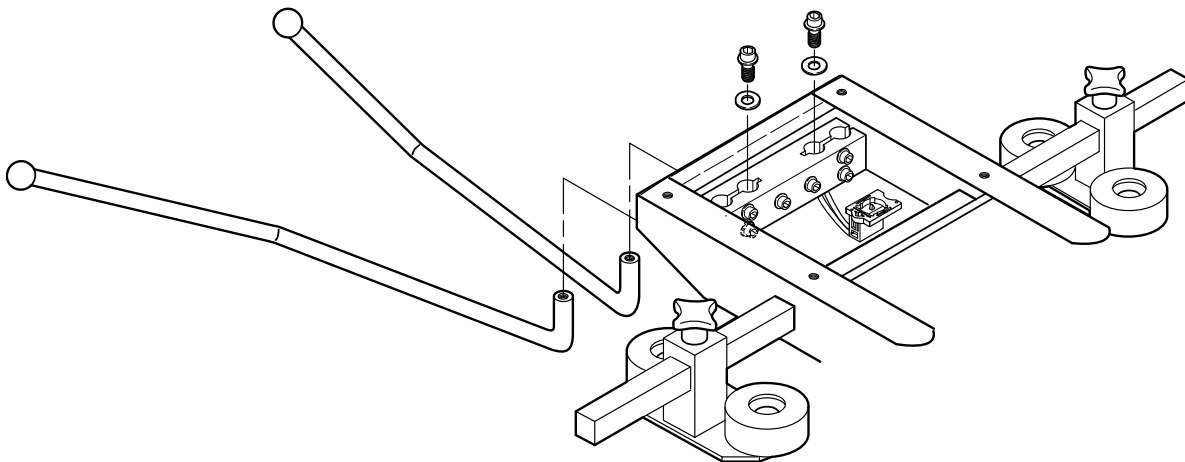


The seat block is slotted at each end, through the thru-hole positions, to allow the seat block to clamp each guide rod to secure it from pivoting as two flange-head socket cap screws (arranged vertically near each end) are tightened.

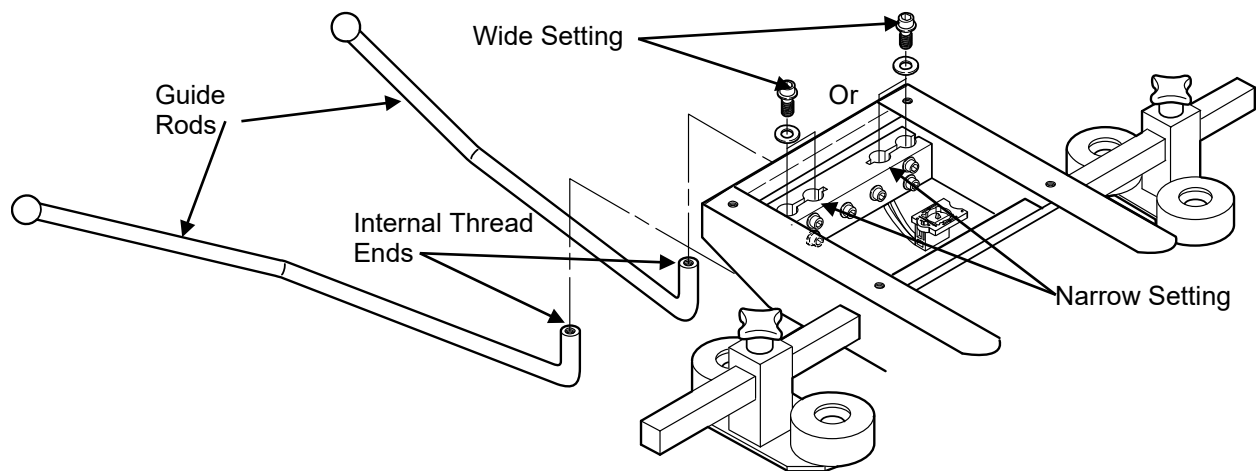


3. **To simply reposition or redirect the guide rods**, but not change the width settings, it is not necessary to remove the flange head socket cap screws and washers at the top of the block; just loosen the two flange head screws at the back of the block to relieve compression on the rod, then reposition the rod to the desired position and then retighten the clamping cap screws.

**To change the guide rods width setting**, remove the flange head socket cap screws and washers at the top of the block. Hold each rod as you loosen the two flange head cap screws at the back of the seat block that hold the guide rod in compression. As the screws are unscrewed, the detached guide rod will drop out through the bottom of the thru-hole.

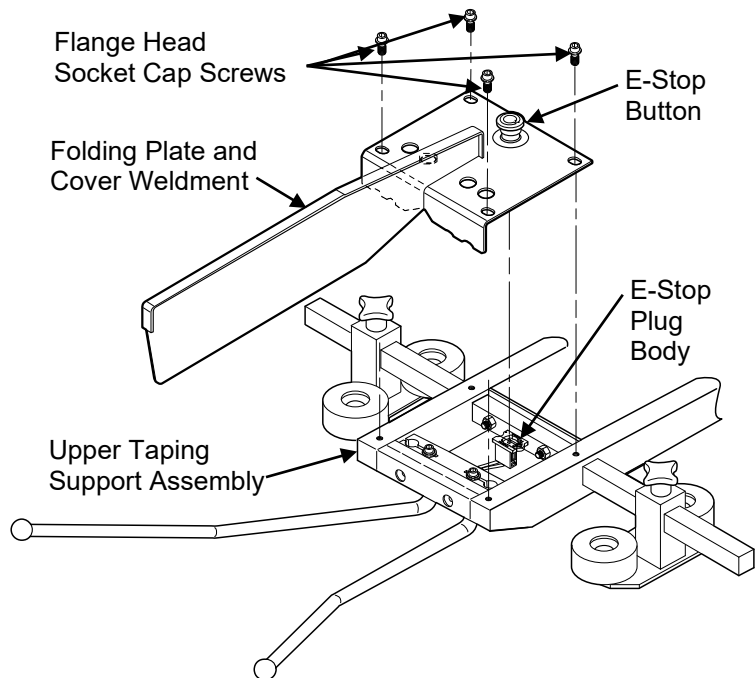


Place the guide rods through the thru-holes that provide the best width setting for the carton application. Insert the internal-threaded end of the guide rod up through the bottom of the block. Support the guide rod so the internal end is level with the top of the seat block and swiveled to the desired position, and tighten the cap screws just tight enough to clamp the guide rod and prevent movement, but take caution to not over-torque the cap screws or strip the threads in the seat block.



Insert the cap screws with washers, removed earlier, into the threaded holes in the tops of the guide rod ends and re-fasten.

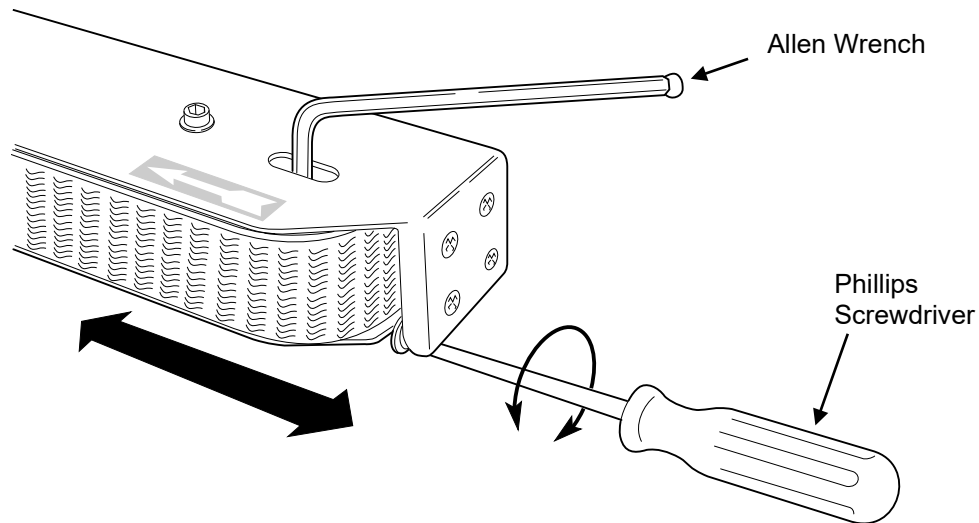
- Support the center flap folding plate and place the cover in the correct orientation on the upper taping support assembly. Check the E-Stop and reconnect the button assembly to the plug assembly if they became separated. Align and reattach the cover and center flap weldment to the upper taping support assembly using the same cap screws removed earlier, in the first step. Return the upper tape head into operational position.





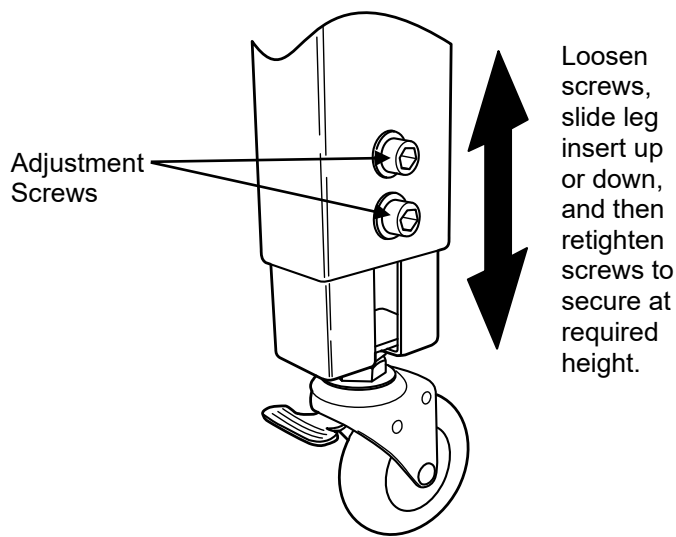
## Belt Adjustment

You do not have to remove the drive belt cover to adjust the drive belt. To adjust the belt, use an Allen wrench and loosen the belt nut. Adjust the belt to a suitable tension by turning the adjustment screw with a Phillips screwdriver. Re-tighten the belt nut.



## Machine Body Height Adjustment

To adjust the leg height, loosen the screws on each leg and slide the insert up or down. When the leg is at the desired height, retighten the adjustment screws to secure the leg height.



**CAUTION!** Ensure the case taper is secure and will not shift while adjusting leg height.

**Tape Head Adjustment** — Refer to Tape Head User Guide.

Refer to instructions in the Tape Head User Guide that is provided with the tape head for instructions regarding adjustment information for the tape head.

# Maintenance

The SB-2/3EXN Industrial Case Taping System will provide many hours of maintenance free operation. There are a few items that may require attention from time to time.

## Rollers

Make sure rollers stay clean and grease free. If you should have to clean the rollers simply wipe them down with a clean lint free cloth. If a more thorough cleaning is necessary wipe the rollers down with a mild detergent and water and let dry. **Never use harsh or abrasive cleaners or chemical agents when cleaning the rollers.**

## Cutting Knives

Occasionally inspect the cutting knives to ensure they are clean and free of adhesive residue. Make sure the cutting knife is sharp by inspecting cuts in the tape. Cuts should be straight and neat. If the quality of cuts is eroding, the knife blade is dull and should be replaced.

## Changing Knife Blades — Refer to Tape Head User Guide

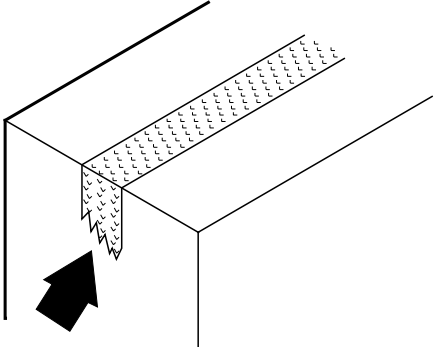
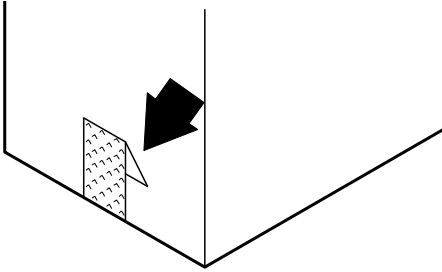
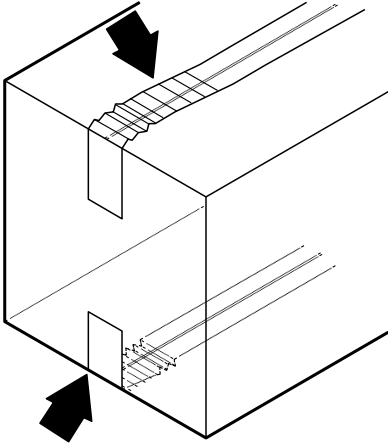
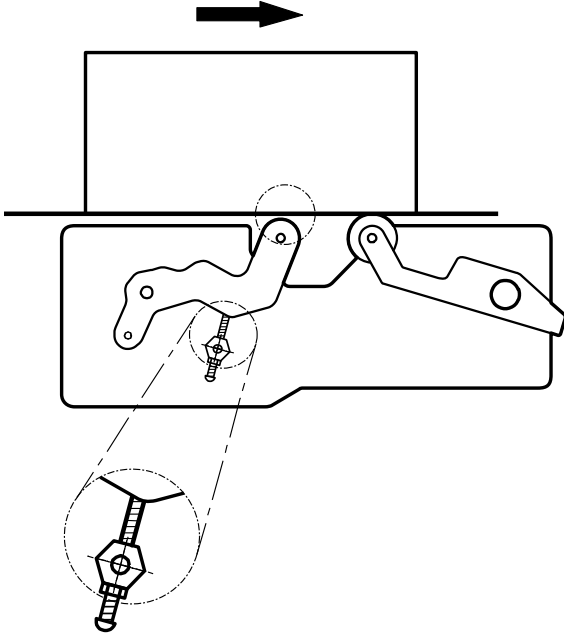
Turn off and unplug the taper. It is not necessary to remove either tape head to change the blade. Refer to the Tape Head User Guide provided with the tape head for instructions for changing the knife blades.

**CAUTION!** Always be aware of the cutting edges while replacing the knife blades. Handle the knife blades carefully.

# Troubleshooting

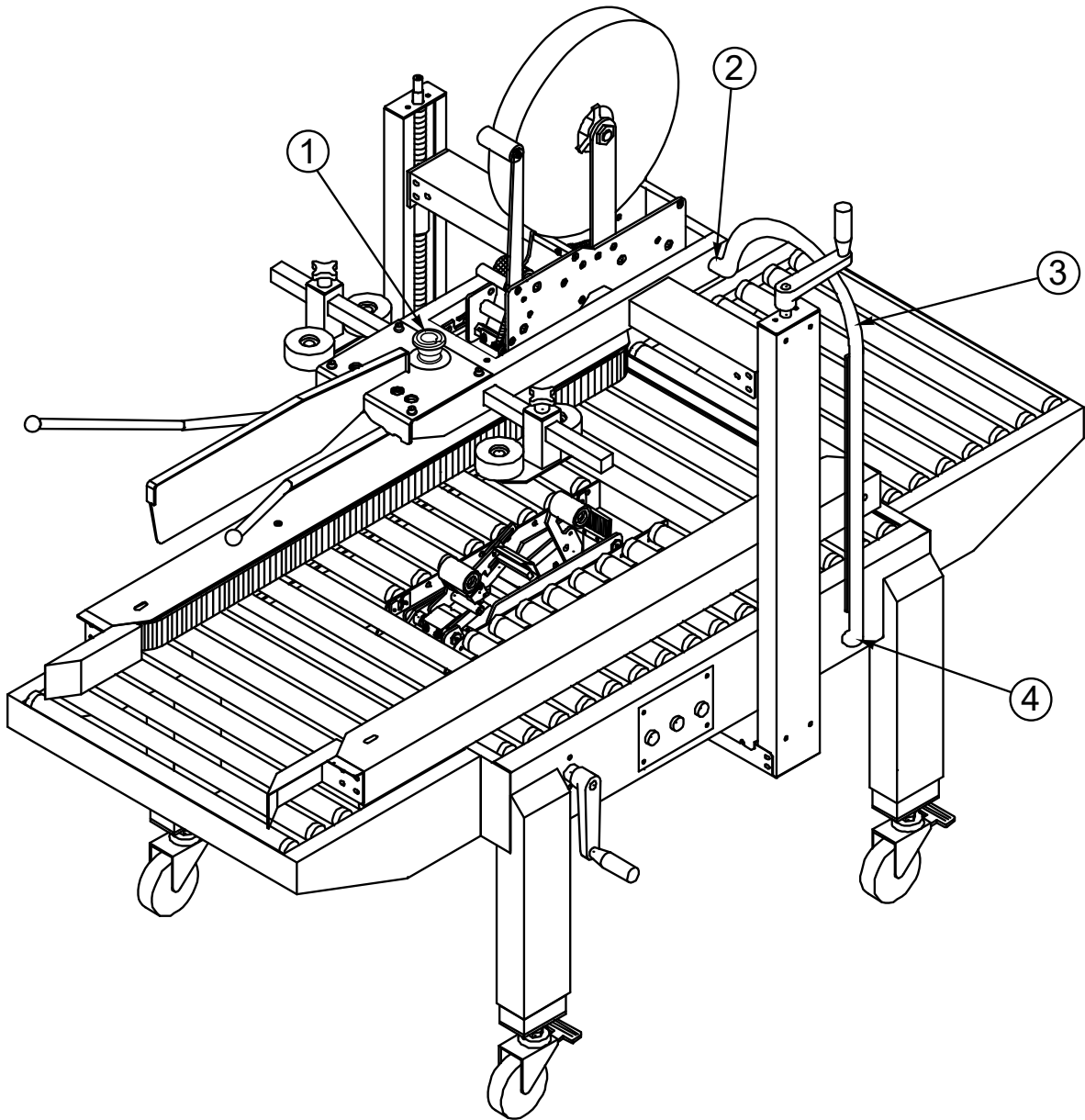
Problem	Possible cause	Solution
Taper will not start.	Machine is not connected to power. The Emergency Stop button is pressed in. Start button has not been pressed. Blown Fuse.	Check power input. Verify power connection. Release the Emergency Stop button. Press the Start button.  Check power/overload condition, then replace fuse if blown.
Machine is not operating.	Machine has inadequate electrical power or power is not connected.	Verify system power meets specification requirements.
Machine cannot tape cartons.	The side belts or squeeze rollers are not correctly adjusted for the box size.	Use the width adjustment crank to adjust the side belt width. Check width of squeeze rollers.

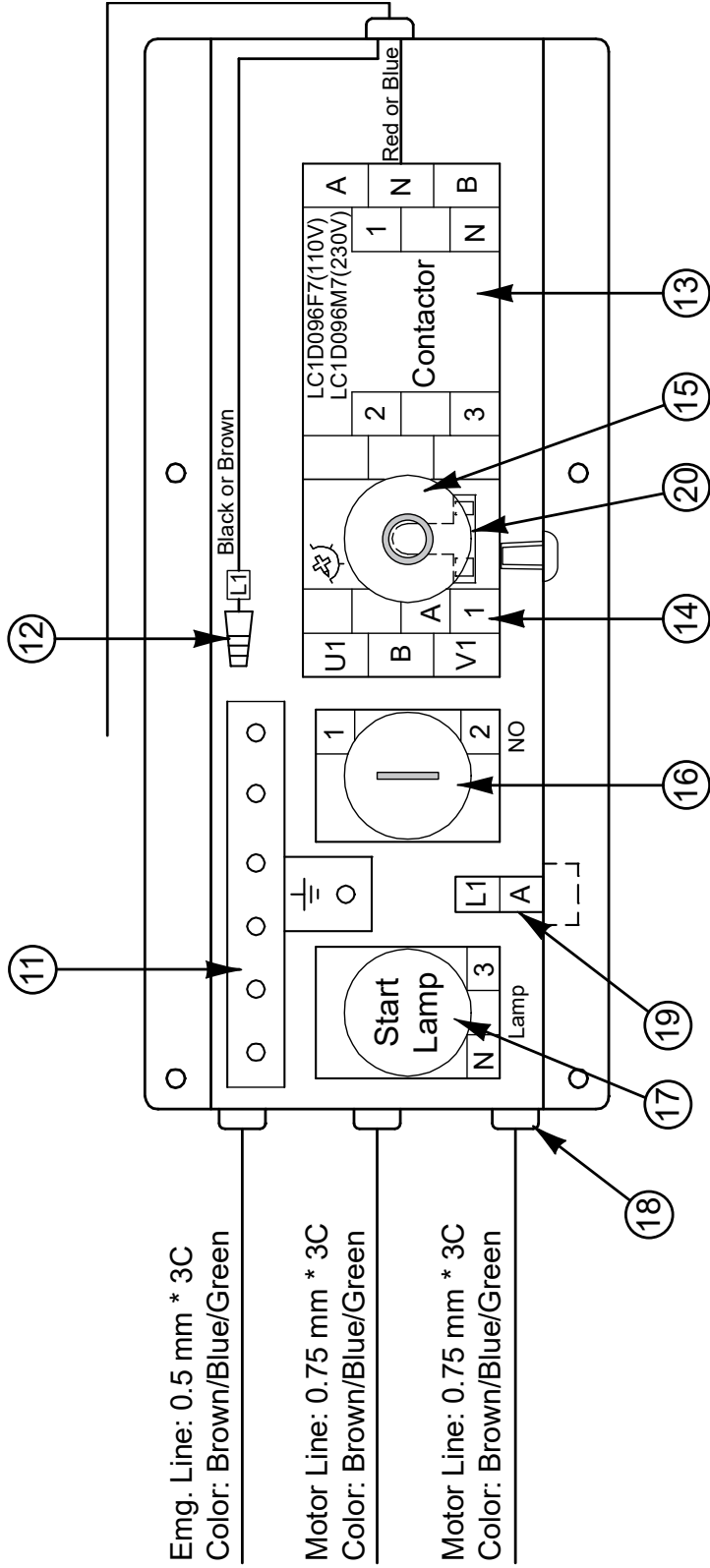
Problem	Solution
Stuck carton	<ul style="list-style-type: none"> <li>• Check drive belt width adjustment.</li> <li>• Check for proper height adjustment.</li> </ul>
Uneven or poor tape cuts	<ul style="list-style-type: none"> <li>• Adjust knife arm spring tension.</li> <li>• Adjust wipe roller spring tension.</li> <li>• Replace cutting knives.</li> </ul>
Uneven Tape Leg on Front	<ul style="list-style-type: none"> <li>• Tape tension is too low. Tighten the one-way clutch roller and/or the tape core.</li> <li>• Adjust the one-way clutch roller in the slot so it is slightly beyond the front wipe roller.</li> <li>• Adjust the tape leg length. See Tape Leg Adjustment section.</li> </ul>

Problem	Solution
<p>Uneven or Torn Tape</p> 	<ul style="list-style-type: none"> <li>• Blade is dull. Replace Blade.</li> <li>• Tape tension is incorrect. Increase tension.</li> <li>• Clean and adjust blade.</li> <li>• Blade mounted incorrectly or backwards.</li> <li>• Knife arm spring is worn. Replace knife arm spring.</li> <li>• Adjust cartridge height.</li> </ul>
<p>Tape Folding</p> 	<ul style="list-style-type: none"> <li>• Check that all rollers turn freely.</li> <li>• Check to be sure tape is threaded properly on front roller (refer to Tape Head User's Manual).</li> </ul>
<p>Tape Curling and Bunching Up — Eastey EX Tape Head Only</p> 	<p>Eastey-EX Tape Head Only</p> <ul style="list-style-type: none"> <li>• Adjust the tape cartridge height (approximately .06 inches from box)</li> </ul>  <ul style="list-style-type: none"> <li>• Check tape tension set by the spring tension at the tape core.</li> </ul>

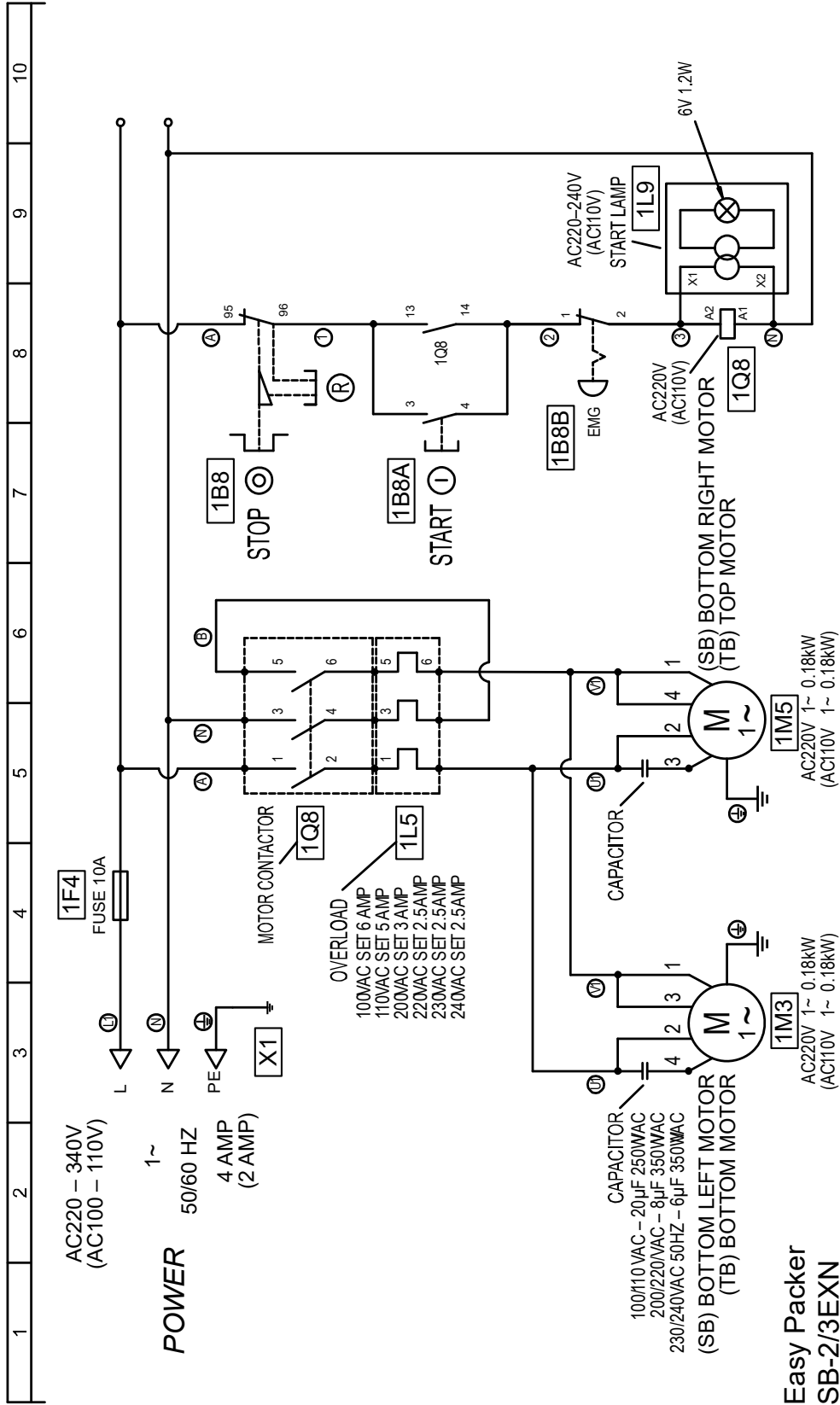
# Parts List

## Electrical





**Electrical Layout**



Easy Packer  
SB-2/3EXN  
SB-2/3EX  
SB-2/3EX-Steel  
TB-2/3EX

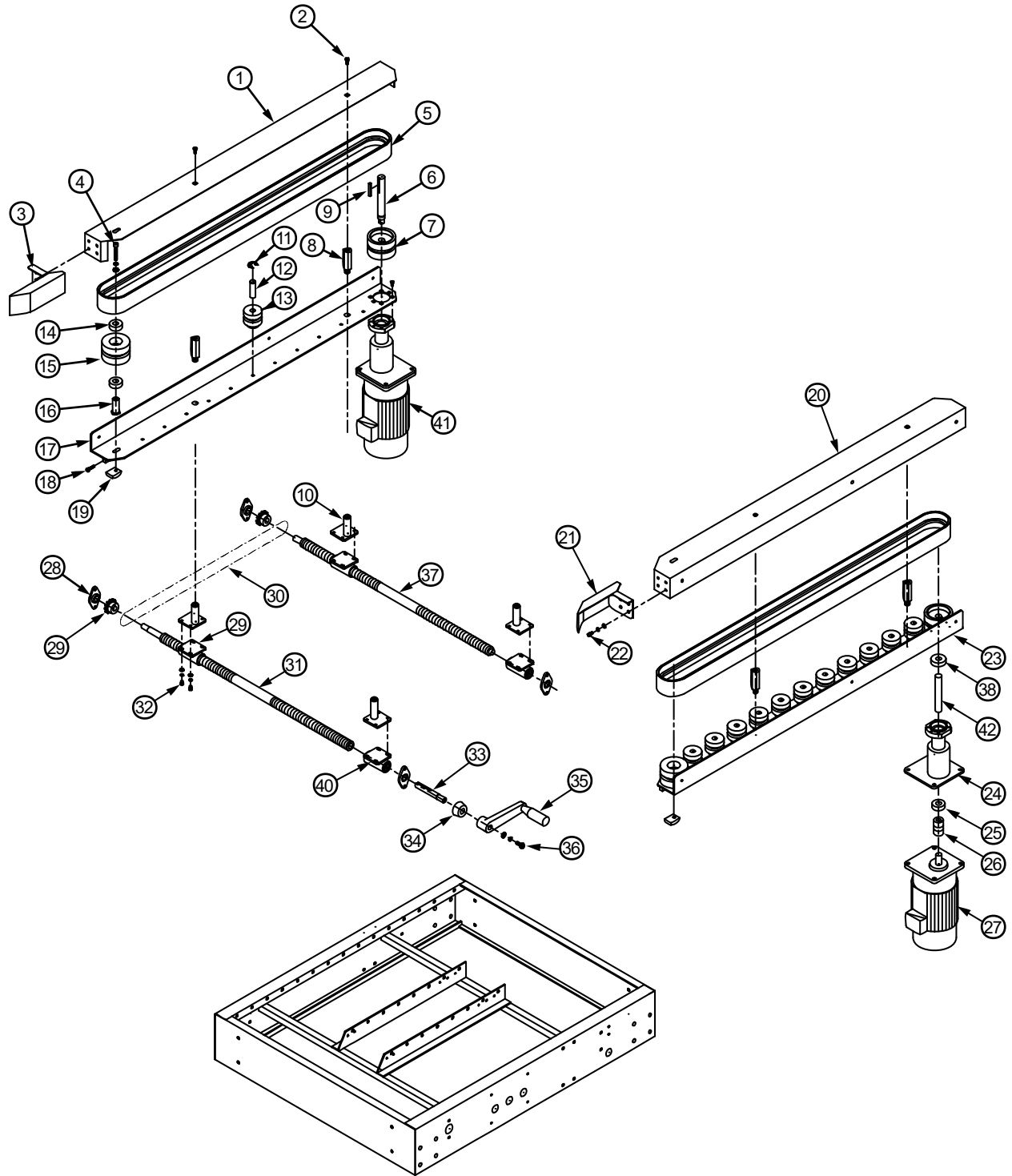
Electrical Layout Cont.



ITEM	PART NO.	DESCRIPTION	REFERENCE	Q'TY
1	5001937	EMG. SWITCH	7155BC20	1
	5001938	BUTTON SEAT CONTACTOR NCx1	7158BZ12	1
2	5001755	1/2" CONNECTOR	7066P001	1
3	5001830	1/2" PROTECT TUBE	7065C062	1
4	5001756	1/2" 90° CONNECTOR	7066C064-1	1
11	5001915	TERMINAL BLOCKS TB6P	70560601	1
12	5004092	CONNECTOR	7032SW01	1
13	5001759	BREAKER LC1-D09F7 110V	71570002-01	1
	5001759-V1	BREAKER LC1-D09M7 220V	71570003-01	1
14	5001760	OVERLOAD PROTECTOR LR3-D106(4-6A, 110V)	71570002-02	1
	5001760-V1	OVERLOAD PROTECTOR LR3-D086(2.5-4A, 220V)	71570003-02	1
15	5001978	BUTTON	7155AL01 5001904	1
16	5001903	BUTTON	7155AA03	1
		CONTACTOR NOX1	7158AZ01	1
17	5001761-V1	POWER LAMP 220V	7151AV01	1
	5001762	BLANKIG PLUG	7150AV01	1
	5001761	POWER LAMP 110V	7151AV02	1
	5001762	BLANKIG PLUG	7150AV01	1
18	5004093	FIXED SEAT	P0316-010000210 older 7025AG16	4
19	5001730	FUSE	72561003	1
	5001730-1	FUSE SEAT	7250FH01	1
20	5004094	ENCLOSURE	7155AL01-1	1

	5001713-C3	MOTOR CAPACITOR (For 200-220V) 8μF	P0318-040002400	2
	5001713-C	MOTOR CAPACITOR (For 100-110V) 16μF	75550002	2
	5001713-C4	MOTOR CAPACITOR (For 230V-240V) 6μF	P0318-040002600	2
	5001713-C2	MOTOR CAPACITOR (For 100V-110V) 20μF	P0318-040003200	2

# Side Belt Assembly

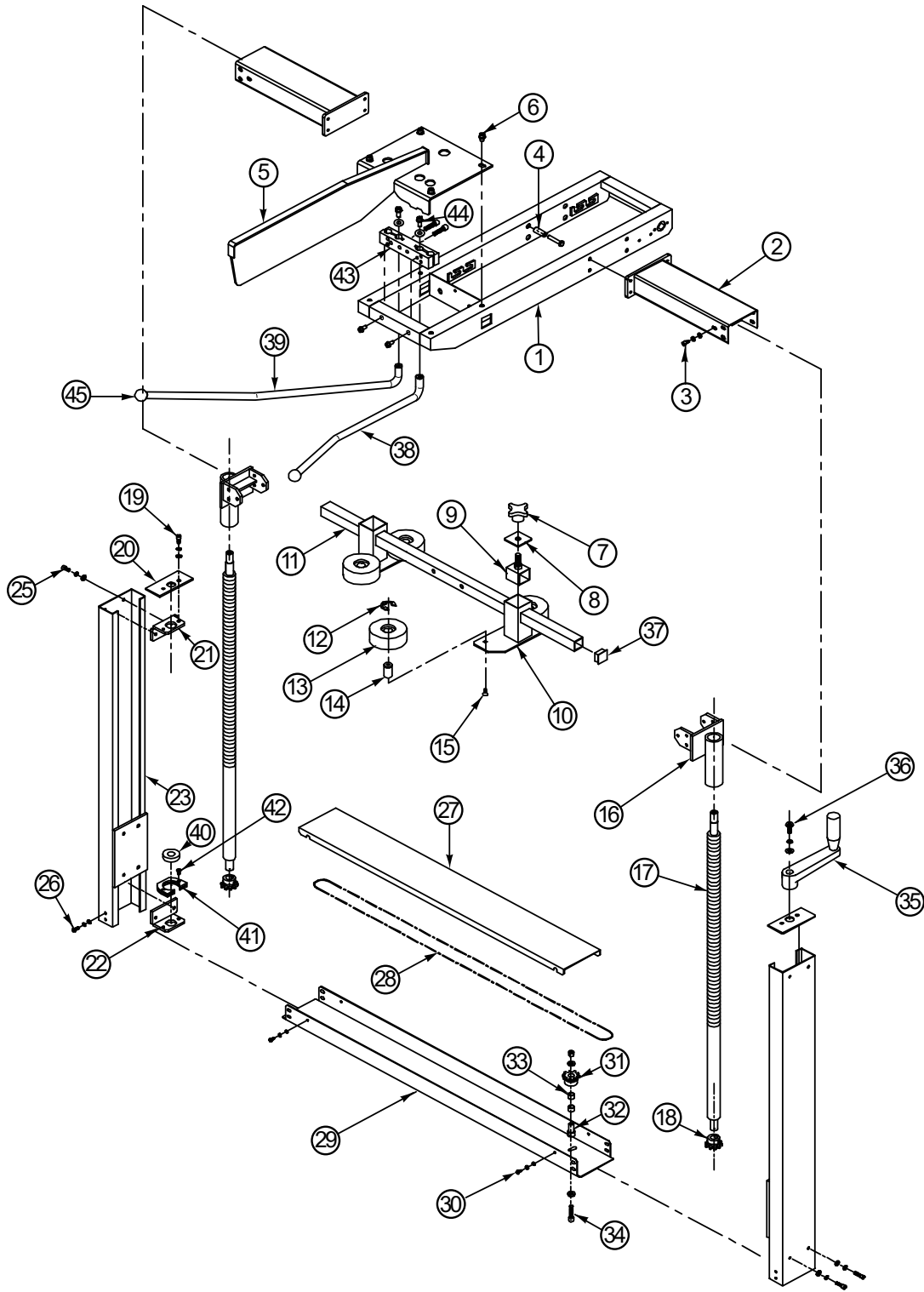


ITEM	PART NO.	DESCRIPTION	REFERENCE	Q'TY
1	5004182	SIDE BELT COVER	KA1104500	1
2	5004096	SCREW M6×10L & S.W & W	10170610	4
3	5001752	GUIDE PLATE	CA3010L0	1
4	5002196	SCREW M8×70L & W	10100870	2
5	5001033	BELT	KA3000680	2
6	5001711	MOTOR SHAFT	CA30250A	2
7	5001715	PULLEY DRIVER	CA301900	2
8	5000965	SPEDIAL SCREW	CA301700	4
9	5001859	KEY 5×5	10925300	2
10	5002197	SUPPORT SHAFT	CA301600	4
11	5004097	RING STW-12	11301200	22
12	5001878	PULLEY SHAFT	CA301400	22
13	5001877	PLASTIC PULLEY	CA301300	22
14	5001700	BEARING 6003ZZ	30300030	4
15	5001703	PULLEY FOLLOWER	CA301100	2
16	5001886	PULLEY SHAFT	CA301200	2
17	5004183	SUPPORT COLUMN	KA1104480	1
18	5001879	SCREW M5×45L	10130545	2
19	5001880	ADJUSTMLNT BLOCK	CA301800	2
20	5004100	SIDE BELT COVER	CA3006R0	1
21	5001753	GUIDE PLATE	CA3010R0	1
22	5002192	SCREW M6×12L & S.W & W	10100612	8
23	5004184	SUPPORT COLUMN	KA1104490	1
24	5001757	MOTOR SEAT	CA302900	2
25	5001700	BEARING 6003ZZ	30300030	2
26	5001712	UNIVERSAL JOINT	CA303000	2
27	5001713	MOTOR 110V/60HZ,T18:1	745111R1	1
	5001956	MOTOR 110V/60Hz,T15:1	745111R2	1
	5001713-V1-60	MOTOR 220V/60HZ,T18:1	745122R1	1
	5001713-V1-50	MOTOR 220V/50HZ,T15:1	745122R2	1
	5001713-V2-50	MOTOR 240V/50HZ,T15:1	745124R2	1
	5001713-V3-50	MOTOR 380V/50HZ,T15:1	745138R1	1
	5001713-V4-50	MOTOR 400V/50HZ,T15:1	745140R1	1

## 36 Illustrated Parts List

ITEM	PART NO.	DESCRIPTION	REFERENCE	Q'TY	
28	5001921	SHAFT SEAT	CA302000	4	
29	5001854	CHAIN SPPOCKET	CA302200	2	
30	5001855	CHAIN	3240S355	1	
31	5002153	SPINDLE WIDTH ADJUSTMENT	CA300700	1	
32	5002192	SCREW M6×12L & S.W & W	10100612	8	
33	5002156	SHAFT	CA300900	1	
34	5001977	HANDLE RING	CA303200	2	
35	5001710	HANDLE CRANKK ARM	P1112-000060A older CA201500	1	
36	5001827	SCREW M6×20L & S.W & W	10100620	1	
37	5002154	SPINDLE WIDTH ADJUSTMENT	CA300800	1	
38	5001701	BEARING 6203ZZ	30302031	2	
39	5002155	SPINDLE SUPPORT	CA3015R0	2	
40	5004101	SPINDLE SUPPORT	CA3015L0	2	
41	5001714	MOTOR 110V/60HZ,T18:1	745111L1	P0503-0009900	1
	5001957	MOTOR 110V/60HZ,T15:1	745111L2		
	5001714-V1-60	MOTOR 220V/60HZ,T18:1	745122L1	P0503-0011100	1
	5001714-V1-50	MOTOR 220V/50HZ,T15:1	745122L2	P0503-0011200	1
	5001714-V2-50	MOTOR 240V/50HZ,T15:1	745124L2	P0503-0012300	1
	5001714-V3-50	MOTOR 380V/50HZ,T15:1	745138L1	P0503-0013200	1
	5001714-V4-50	MOTOR 400V/50HZ,T15:1	745140L1	P0503-0013900	1
42	5004185	SPACER	CA304600	2	

# Vertical Column

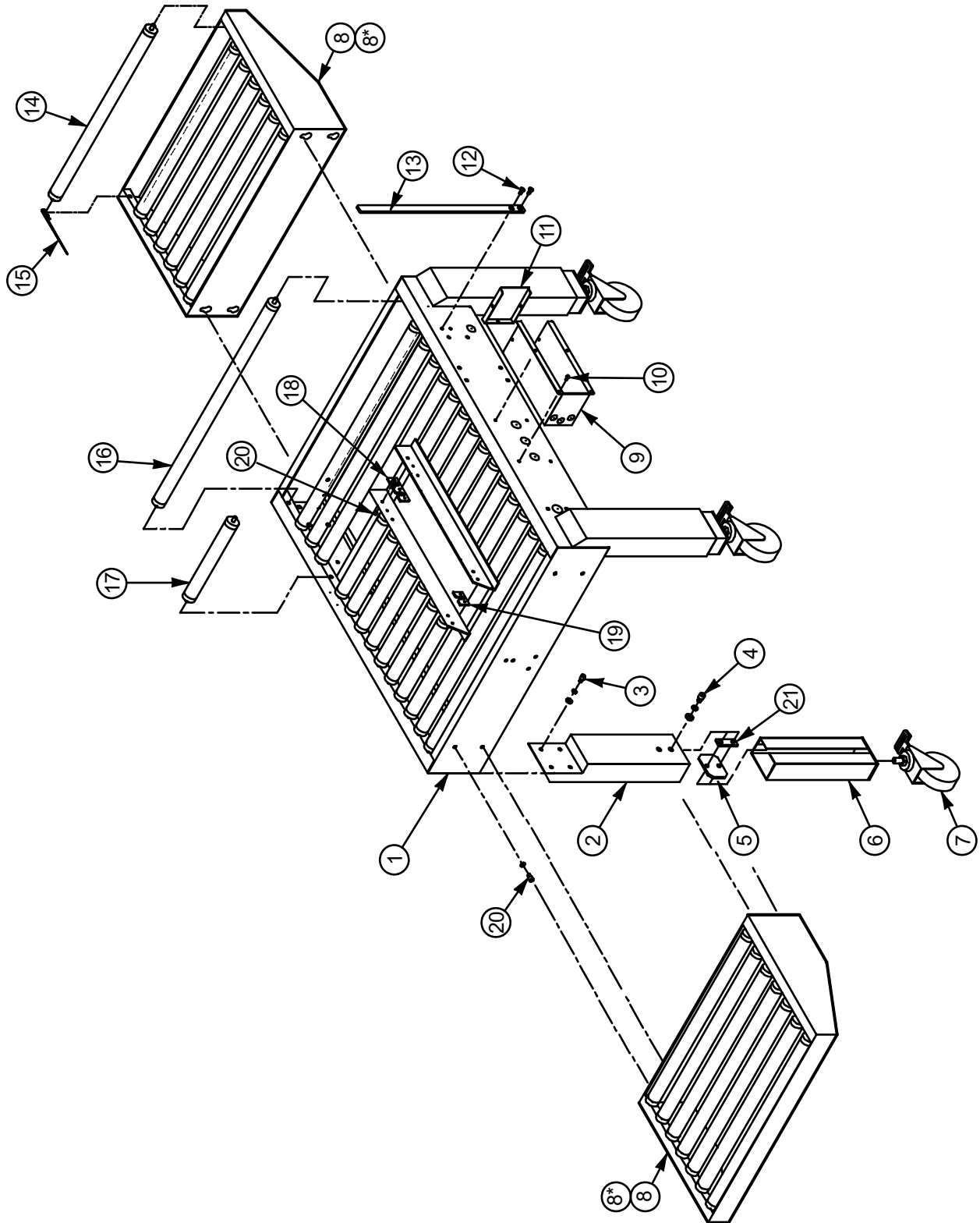


## 38 Illustrated Parts List

ITEM	PART NO.	DESCRIPTION	REFERENCE	Q'TY
1	5001970	TAPING SET SUPPORT	KA1104460	1
2	5004102	SUPPORT SET	CA10110A	2
3	5002192	SCREW M6×12L & S.W & W	10100612	12
4	5004103	LINING	CA101500	8
5	5001979	FOLDING DEVICE PLATE	KA1104470	1
6	5004104	SCREW M4×6L	10140406	4
7	5001709	HANDLE KNOB	CA101600	2
8	5001811	LOCKING BRACKET	CA100900	2
9	5001812	SCREW KNOB	P01-013400A older CA100800	2
10	5001813	COMPRESSION ROLLER SEAT	CA100500	2
11	5004105	SUPPORT BAR	CA101000	1
12	5001814	RING STW-17	11301700	4
13	5001708	COMPRESSION ROLLER	CA100600	4
14	5001702	COMPRESSION ROLLER SHAFT	CA100700	4
15	5002178	SCREW M6×10L	10140610	4
16	5001973	SPINDLE SUPPORT	CA200900	2
17	5004106	HEIGHT ADJUSTMENT SPINDLE	P02-0070890A older CA200700	2
18	5004107	CHAIN WHEEL	CA200800	2
19	5002192	SCREW M6×12L & S.W & W	10100612	4
20	5004108	COVER PLATE	CA20040A	2
21	5004109	SET PLATE	CA200200	2
22	5004110	SET PLATE	CA200300	2
23	5004111	COLUMN	CA20010A	2

ITEM	PART NO.	DESCRIPTION	REFERENCE	Q'TY
25	5002192	SCREW M6×12L & S.W & W	10100612	8
26	5002192	SCREW M6×12L & S.W & W	10100612	8
27	5004112	CHAIN PLATE	CA201200	1
28	5001856	CHAIN	3240S356	1
29	5004113	CHAIN COVER	CA201100	1
30	5004114	SCREW M4×10L & S.W & W	10190410	4
31	5004115	CHAIN WHEEL	CA201600	1
32	5004116	CHAIN WHEEL SHAFT	CA201700	1
33	5001896	BUSH Ø10 x Ø12 x 10L	CT212100	2
34	5004117	SCREW M6×35L & S.W & NUT	10100635	1
35	5001710	HANDLE CRANK ARM	P1112-000060A older CA201500	1
36	5004118	SCREW M8×16L & S.W & W	10170816	1
37	5004119	RUBBER PLUG	91350001	2
38	5001981	FOLDING DEVICE	KA0302640	1
39	5001980	FOLDING DEVICE	KA0302650	1
40	5001852	BEARING 6202ZZ	30302020	2
41	5001754	BEARING SEAT	CA304500	2
42	5001887	SCREW M6×16L	10140616	4
43	5001971	FOLDING DEVICE SEAT	KA0302660	1
44	2006035	SCREW M6×16L & S.W & W	10100616	2
45	5001982	HANDLE KNOB	91220001	2

# Machine Body





ITEM	PART NO.	DESCRIPTION	REFERENCE	Q'TY
1	5004120	MACHINE FRAME	CA30010A	1
2	5004121	MACHINE LEG	CA300200	4
3	5004122	SCREW M8×16L & S.W & W	10100816	16
4	5004123	SCREW M10×16L & S.W & W	10101016	8
5	5004124	CLAMP	CA30040A	4
6	5002127	ADJUSTABLE LEG	CA30030A	4
7	5001892	CASTER	9201L501	4
8*	5001738	TABLE ROLLER PACK COMPLETE: 8, 14 & 15		2
8	5004125	ROLLER SEAT	CA400100	2
9	5004126	ELECTRICAL BOX	CA30280A	1
10	5004127	SCREW M5×10L	10170510	4
11	5004128	ELECTRICAL COVER	CA304300	1
12	5002163	SCREW M6×12L	10140612	2
13	5004129	FIXED SEAT	CA101400	1
14	5001720	ROLLER	CA400200	14
15	5004130	PIN	10750001	26
16	5001716	ROLLER(LONG)	CA302400	7
17	5001718	ROLLER(SHORT)	CA302300	16
18	5004131	B-PLATE	CA33070A	2
19	5004132	A-PLATE	CA33060A	2
20	5004133	SCREW M8×12L & S.W & W	10100812	8
21	5004186	WASHER, SPACER FOR ADJUSTABLE LEG	CA302100	4

## **Tape Head** — Refer to Tape Head User Guide.

Refer to the parts illustrations and listings in the Tape Head User Guide provided with the tape head for identification and part numbers of tape head parts.

# Warranty Statement

## SB-2/3EXN Carton Sealing Machine

### Warranty Statement

Eastey warrants that all of the products it ships will be in good working order and free from defects in material and workmanship and will conform to the published specifications for that product.

### Warranty Period

Drive motor(s): 1 year  
Gear reducer: 1 year

Tapehead: 1 year (Except for moving parts which are subject to normal wear, tear and replacement which are warranted to be free from defects in material and workmanship.)

All other parts: 1 year (Except for moving parts which are subject to normal wear, tear and replacement which are warranted to be free from defects in material and workmanship.)

### Taping Quality

Taping quality achieved in a given application is dependent on the installation, the material handling, and the maintenance provided. Eastey makes no warranty that the taping quality achieved in an application will be the same as that achieved on a test piece in our demo facility.

### Shipping Policy

Customer pays all incoming shipping. If the item is defective and under warranty, Eastey pays return shipping charges for least costly method. If expedited shipping is desired, customer must furnish his shipping account and shipping fees will be charged to that account.

### Warranty Verification

If you conclude that a product may be defective and may be covered by warranty, obtain a Return Material Authorization number by calling our technical support number (toll free at 1-800-835-9344, or 763-428-4846 or Fax 763-795-8867) or e-mail: info@eastey.com, and return the defective item to Eastey. Eastey will analyze the product and, if found to be defective, we will, at our option, replace or repair the item. If the item is found to not be eligible for warranty, you will be notified and may decide on disposition. Defective products will be replaced or repaired as promptly as possible.

### Warranty Eligibility

The warranty provided by Eastey is only to the original buyer.

**Limited Warranty**

THE ABOVE WARRANTY IS EXCLUSIVE AND IN LIEU OF ALL OTHER WARRANTIES, WHETHER EXPRESSED OR IMPLIED, INCLUDING THE IMPLIED WARRANTIES OF MERCHANTABILITY, FITNESS FOR A PARTICULAR PURPOSE AND NONINFRINGEMENT.

**Disclaimer of Damages**

REGARDLESS OF WHETHER ANY REMEDY SET FORTH HEREIN FAILS OF ITS ESSENTIAL PURPOSE, IN NO EVENT WILL EASTEY BE LIABLE FOR ANY SPECIAL, CONSEQUENTIAL, INDIRECT OR SIMILAR DAMAGES, INCLUDING LOST PROFIT OR LOST OPPORTUNITIES OF ANY TYPE ARISING OUT OF THE USE OR INABILITY TO USE THESE PRODUCTS EVEN IF EASTEY HAS BEEN ADVISED OF THE POSSIBILITY OF SUCH DAMAGES.

# Customer Support

## Eastey Technical Service

For help setting up or operating the SB-2/3EXN Case Taper, please contact Eastey Technical Service at one of the numbers listed below.

Toll-Free Phone	800-835-9344
Phone	763-428-4846
Fax	763-795-8867
E-mail	<a href="mailto:info@eastey.com">info@eastey.com</a>
Web	<a href="http://www.eastey.com">www.eastey.com</a>

Thanks again for your purchase of Eastey products. We are pleased to be a part of your packaging needs.





***EASTEY***®